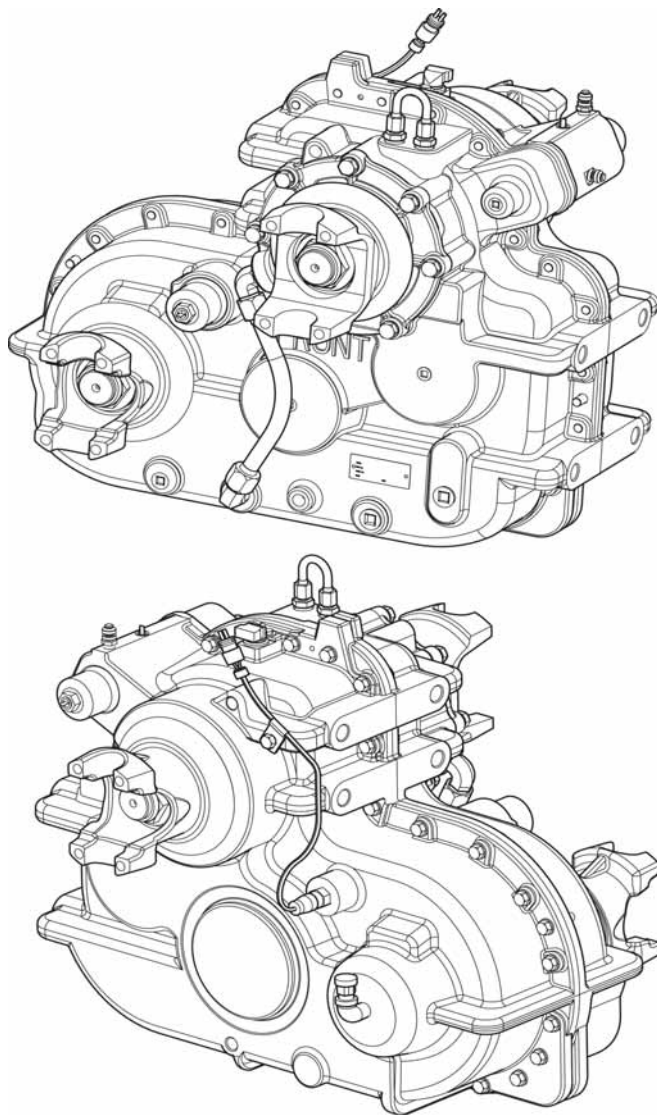


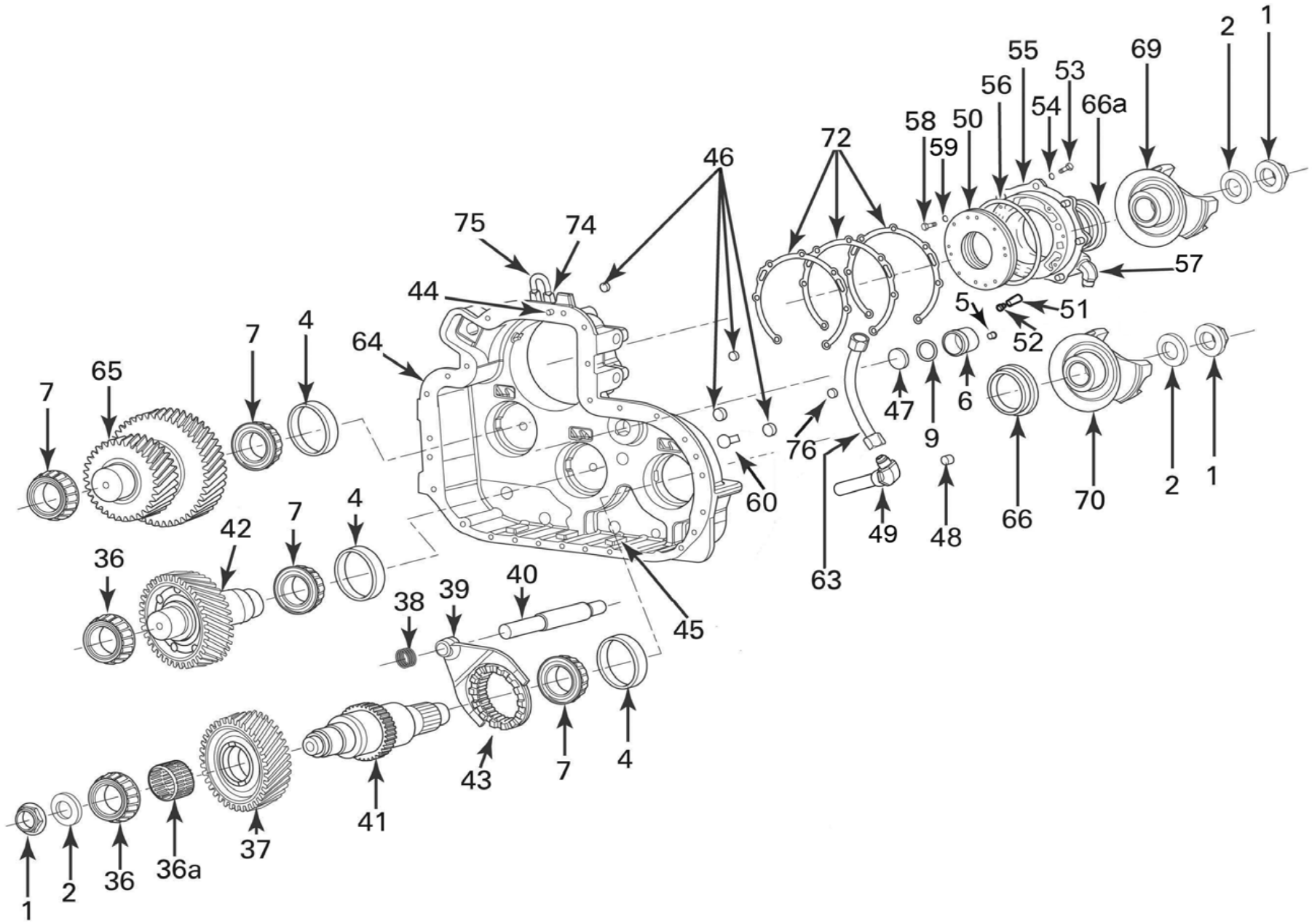
MTC4213X

Transfer Case

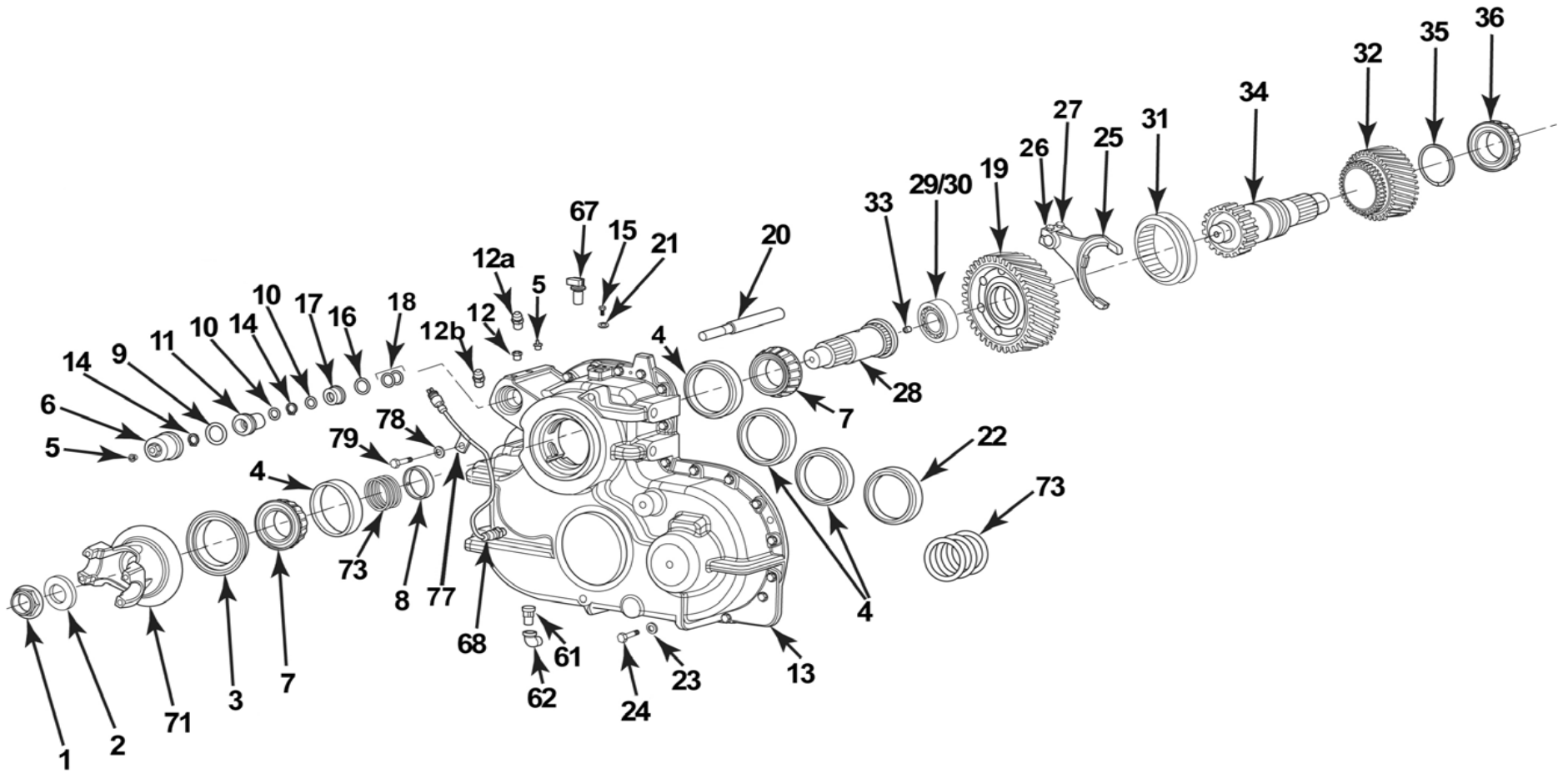


NOTE: The MTC-4213X transfer case models are backward-compatible with MTC-4213 transfer case specifications. There are no changes to the oil cooler interface points with these models. However, the exterior geometry of the housing has changed, which potentially impacts clearances to surrounding components. In addition, the previous models cannot be used in place of the new models in applications with “engage-on-the fly” systems or mid-ship pumps. Refer to Maintenance Manual MM-0146, Transfer Cases, for more information.

MTC4213X - Front



MTC4213X - Rear



MTC-4213X SERIES TRANSFER CASE

| Item | Part Name | Qty. | Part Number | Description |
|------|----------------------------------|--------------------|---------------|----------------------------------|
| 1 | Lock Nut | 4 | 40-X-1233 | M45 x 1.5 thd. |
| 2 | Washer | 4 | 1229-N-1730 | 1.79" ID x 3.00" OD x .19" wide |
| 3 | Unitized Seal - Rear Output | 1 | R945010 | 3.25" ID x 5.51" OD x .86" long |
| 4 | Bearing Cup | 7 | HM212011 | 4.8125" OD cup |
| 5 | Plug (Shipping) | 15 | 1779-F-344 | |
| 6 | Shift Cylinder | 2 | 3261-A-1067 | |
| 7 | Bearing Cone | 7 | HM212049 | 2.625" ID cone |
| 8 | Spacer - .362" | 1 | 2803-D-3124 | .362" Thick |
| | Spacer - .003" | Use As Reqd. | 2803-E-3125 | 2TS Rear cover bearing spacer |
| | Spacer - .009" | | 2803-F-3126 | Located next to spacer (Item 8) |
| | Spacer - .015" | | 2803-G-3127 | |
| | Spacer - .021" | | 2803-H-3128 | |
| | | | | |
| 9 | O-Ring - Shift Piston | 2 | 5-X-1326 | 1.459" ID x .208" thick |
| 10 | O-Ring | 2 | 5-X-1290 | .734" ID x .139" thick |
| 11 | Piston (Outer) | 1 | 2230-Q-1369 | |
| 12 | Reducer Bushing | 1 | 2206-Q-1447 | |
| 12a | Neutral Breather | 1 | A-1199-K-4048 | |
| 12b | Blow-by Breather | 1 | A-1199-C-1043 | |
| 13 | Cover - Transfer | 1 | 3289-L-1104 | |
| 14 | Snap Ring | 2 | 1229-U-4857 | .689" ID |
| 15 | Capscrew (Speed Sensor Retainer) | 1 | S244-2 | |
| 16 | O-Ring (Outer) | 1 | 5-X-1292 | 1.17" ID x .139" thick |
| 17 | Piston (Inner) | 1 | 2230-T-1346 | |
| 18 | O-Ring (Housing) | 2 | 5-X-1291 | .984" ID x .139" thick |
| 19 | High Input Gear | 1 | 3892-F-5674 | |
| 20 | Shift Shaft | 1 | 2244-T-1190 | |
| 21 | Washer (Speed Sensor Retainer) | 1 | WA-34 | |
| 22 | Bearing Cup | 1 | HM813810 | 5.00" OD cup |
| 23 | Washer | 29 | 1229-E-1513 | .47" ID x .81" OD x .09" wide |
| 24 | Capscrew | 29 | S2714A-2 | 7/16"-14 thd x 1.75" |
| 25 | Shift Fork | 1 | 3296-Q-1317 | |
| 26 | Bolt/Capscrew | 1 | S1712A-2 | 7/16" - 1.5" |
| 27 | Bolt/Capscrew | 1 | S1612A-2 | 3/8" - 1.5" |
| 28 | Shaft - Rear Output | 1 | 3297-V-1452 | |
| 29 | Bearing Cup | 1 | NP682041 | Pocket bearing. OD 3.4843" |
| 30 | Bearing Cone | 1 | NP674708 | Pocket bearing. ID 1.625" |
| 31 | Collar - Clutch | 1 | 3107-K-1181 | |
| 32 | Gear - Input (Low) | 1 | 3892-T-5662 | |
| 33 | Plug - Oil Restriction | 1 | 1250-M-1313 | .090" orifice |
| 34 | Shaft - Input | 1 | 3297-J-1544 | |
| 35 | Snap Ring | 1 | 1229-P-4800 | Use with shaft 3297-J-1544 only. |
| 36 | Bearing Cone | 2 | HM813843 | 2.4375" ID cone |
| 36a | Needle Bearing | 1 | 1228-P-1654 | |
| 37 | Gear - Front Output | 1 | 3892-L-5862 | |
| 38 | Spring | 1 | 2258-U-411 | |
| 39 | Fork-Shift | 1 | 3296-T-1346 | |
| 40 | Push Rod | 1 | 2244-S-1189 | |
| 41 | Shaft - Front Output | 1 | 3297-G-1567 | |
| 42 | Gear - Idler | 1 | 3892-D-5672 | |
| 43 | Collar - Clutch | 1 | 3107-U-1269 | |
| 44 | Dowel | 2 | 1246-T-1190 | .375" dia x 1.00" long |
| 45 | Magnet | 3 | 2297-K-6771 | |

MTC-4213X SERIES TRANSFER CASE

| Item | Part Name | Qty. | Part Number | Description |
|------|---|-------|----------------------------|--|
| 46 | Plug | 4 | P-26 | 3/8"-18 NPT |
| 47 | Piston - Shift | 1 | 2230-T-1190 | |
| 48 | Drain Plug - Magnetic | 1 | 1250-E-473 | 3/4"-14 NPT square socket |
| 49 | Fitting Assy (Screen / Elbow) | 1 | A-2206-U-1347 | 3/4"-14 NPT |
| 50 | Pump Assy. | 1 | A-3303-G-1047 | Replaces A-3303-P-1030. Must use A-3226-Z-1482 Input Cage. |
| 51 | Valve - Pressure Relief | 1 | 2297-U-5273 | |
| 52 | Spring - Relief Valve | 1 | 2258-Z-1118 | |
| 53 | Capscrew - Input Bearing Cage | 7 | S2814A-2 | 1/2"-13 thd x 1.75" |
| 54 | Washer - Input Bearin Cage | 7 | 1229-C-1511 | .53" ID x .88" OD x .09" wide |
| 55 | Cage - Input Bearing | 1 | A-3226-W-1479 | |
| 56 | O-Ring | 1 | 5-X-1327 | 7.483" x .139" thick |
| 57 | Male Elbow | 1 | 2206-C-1485 | 3/4"-14 NPTF x 1-1/16"-12 UNC-21 |
| 58 | Capscrew - Pump Assembly | 6 | MS208045-1 | M8 x 1.25 |
| 59 | Washer - Pump Assembly | 6 | 1229-E-1669P | .34" ID x .62" OD x .06" wide |
| 60 | Fill Plug | 1 | P-112 | 3/4"-14 NPT |
| 61 | Breather Assy. | 1 | A-1199-P-1394 | 3/8"-18 NPT |
| 62 | Elbow | 1 | 2206-F-1254 | 3/8"-18 NPT / 3/8"-18 NPT |
| 63 | Tube Assy. | 1 | A-2206-A-1483 | |
| 64 | Case - Transfer - Front Half | 1 | 3290-D-1200 | |
| 65 | Gear - Idler | 1 | 3892-V-5664 | |
| 66 | Unitized Seal - Forward Output | 1 | R945007 | 3.25" ID x 4.25" OD x .86" long |
| 66a | Multiple-Lip Seal - Input Shaft | 1 | A1-1205-X-2728 | 3.25" ID x 4.25" OD x .58" long |
| 67 | Speed Sensor | 1 | A-3280-U-9849 | Optional |
| 68 | Engagement Sensor | 1 | 3237-W-1167 | Optional. Do not use with Special Screw (41-X-1022) and Washer (1229-U-1503) |
| 68a | Screw - Special (Sensor Plug) (not shown) | 1 | 41-X-1022 | Optional M16 x 1-6g. Special Screw and Washer used in vehicles not equipped with Engagement Sensor (3237-W-1167) |
| 68b | Washer (not shown) | 1 | 1229-U-1503 | |
| 69 | Yoke - Input | 1 | RAP or RCE spline code *** | 2-3/8"-46T spline (No Slinger) |
| 70 | Yoke - Front Output | 1 | | 2-3/8"-46T spline (Slinger opt.) |
| 71 | Yoke - Rear Output | 1 | | 2-3/8"-46T spline (Slinger opt.) |
| 72 | Shim - .003" | Use | 2203-K-9241 | Input bearing cage |
| | Shim - .005" | As | 2203-L-9242 | |
| | Shim - .010" | Reqd. | 2203-M-9243 | |
| | Shim - .0197" | | 2803-F-2866 | |
| 73 | Shim - .010" | Use | 2803-P-3110 | Housing bearing cups |
| | Shim - .005" | As | 2803-Q-3111 | |
| | Shim - .003" | Reqd. | 2803-R-3112 | |
| 74 | Male Connector | 2 | 2206-E-1513 | 1/2" NPT x 9/16" 37° Flare |
| 75 | Loop Tube | 1 | A-2296-Q-1161 | For use when cooler not connected |
| 76 | Plug | 1 | P-28 | |
| 77 | Clip - Speed Sensor | 1 | 2257-M-1235 | |
| 78 | Washer - Sensor Clip | 1 | 1229-E-1513 | |
| 79 | Bolt, Capscrew - Sensor | 1 | S-2710A-2 | |

*** See yokes, page 7

MTC-4213X SERVICE KITS

| Part Name | Part Number | Quantity | Description |
|------------------------------------|-------------|----------|---------------------------------|
| KIT 2564 | | | Fastener Kit |
| Lock Nut | 40-X-1233 | 4 | M45 x 1.5 thd. |
| Washer | 1229-N-1730 | 4 | 1.79" ID x 3.00" OD x .19" wide |
| Lock Nut | 40-X-1341 | 1 | 2.25"-12 thd. |
| Washer | 1229-E-4113 | 1 | 2.28" ID x 3.25" OD x .32" wide |
| Capscrew (Speed Sensor Retainer) | S244-2 | 1 | |
| Washer (Speed Sensor Retainer) | 1229-X-5094 | 1 | |
| Capscrew | S2714A-2 | 34 | 7/16"-14 thd x 1.75" |
| Washer - Hardened | 1229-E-1513 | 34 | |
| Bolt/Capscrew | S1712A-2 | 1 | |
| Bolt/Capscrew | S1612A-2 | 1 | |
| Plug - Oil Restriction | 1250-M-1313 | 1 | .090" orifice |
| Dowel | 1246-T-1190 | 2 | .375" dia x 1.00" long |
| Drain Plug - Magnetic | 1250-E-473 | 1 | 3/4"-14 NPT square socket |
| Plug | P-26 | 4 | 3/8"-18 NPT |
| Fill Plug | P-212 | 1 | 3/4"-14 NPT |
| Capscrew - Pump Assembly | MS208045-1 | 6 | M8 x 1.25 |
| Washer - Flat - Pump Assembly | 1229-E-1669 | 6 | .34" ID x .62" OD x .06" wide |
| Capscrew - Input Bearing Cage | S-2814A-2 | 7 | 1/2"-13 thd x 1.75" |
| Washer - Hardened - Input Brg Cage | 1229-C-1511 | 7 | .53" ID x .88" OD x .09" wide |
| Male Connector | 2206-C-1485 | 1 | 3/4"-14 NPT / 1 1/16"-12 Flare |
| Screw - Special (Sensor Plug) | 41-X-1022 | 2 | Optional M16 x 1-6g |
| Washer | 1229-U-1503 | 2 | |

| | | | |
|-----------------|-------------|---|-------------------------------|
| KIT 2566 | | | Shim Kit |
| Shim - .003" | 2203-K-9241 | 5 | Input bearing cage |
| Shim - .005" | 2203-L-9242 | 5 | |
| Shim - .010" | 2203-M-9243 | 5 | |
| Shim - .010" | 2803-P-3110 | 5 | Housing bearing cups |
| Shim - .005" | 2803-Q-3111 | 5 | |
| Shim - .003" | 2803-R-3112 | 5 | |
| Spacer - .003" | 2803-E-3125 | 5 | 2TS Rear cover bearing spacer |
| Spacer - .009" | 2803-F-3126 | 5 | |
| Spacer - .015" | 2803-G-3127 | 5 | |
| Spacer - .021" | 2803-H-3128 | 5 | |

| | | | |
|------------------------|-------------|---|------------------------|
| KIT 2591 | | | Input Shaft Kit |
| Shaft - Input | 3297-J-1544 | 1 | |
| Snap Ring | 1229-P-4800 | 1 | |
| Plug - Oil Restriction | 1250-M-1313 | 1 | |

| | | | |
|-----------------|-------------|---|---|
| KIT 2891 | | | Shift Fork/Collar Kit - Front Output |
| Collar - Clutch | 3107-U-1269 | 1 | |
| Shift Fork | 3296-T-1346 | 1 | |

MTC-4213X SERVICE KITS

| Part Name | Part Number | Quantity | Description |
|--|----------------|----------|---------------------------------|
| KIT 2597 | | | Seal/Snap Ring Kit |
| Unitized Seal - Forward Output | R945007 | 1 | 3.25" ID x 4.25" OD x .86" long |
| Unitized Seal - Rear Output (4213 only) | R945010 | 1 | 3.25" ID x 5.51" OD x .86" long |
| Multiple-Lip Seal - Input Shaft | A1-1205-X-2728 | 1 | 3.25" ID x 4.25" OD x .58" long |
| O-Ring | 5-X-1326 | 2 | 1.459" ID x .208" thick |
| O-Ring (Inner) | 5-X-1290 | 2 | .734" ID x .139" thick |
| Snap Ring | 1229-U-4857 | 2 | .689" ID |
| O-Ring | 5-X-1292 | 1 | 1.71" ID x .139" thick |
| O-Ring (Housing) | 5-X-1291 | 2 | .984" ID x .139" thick |
| O-Ring | 5-X-1327 | 1 | 7.483" x .139" thick |

| | | | |
|---------------------------------|----------------|---|---|
| KIT 2887 | | | Seal & Bearing Kit |
| Cage - Input Bearing | A-3226-W-1479 | 1 | |
| Lock Nut | 40-X-1233 | 4 | M45 x 1.5 thd. |
| Washer | 1229-N-1730 | 4 | 1.79" ID x 3.00" OD x .19" wide |
| Unitized Seal - Rear Output | R945010 | 1 | 3.25" ID x 5.51" OD x .86" long |
| Multiple-Lip Seal - Input Shaft | A1-1205-X-2728 | 1 | 3.25" ID x 4.25" OD x .58" long |
| Unitized Seal - Forward Output | R945007 | 1 | 3.25" ID x 4.25" OD x .86" long |
| Bearing Cup | HM-212011 | 7 | 4.8125" OD cup |
| Bearing Cone | HM-212049 | 7 | 2.625" ID cone |
| Bearing Cup | HM-813810 | 1 | 5.00" OD cup |
| Bearing Cone | HM-813843 | 2 | 2.4375" ID cone |
| Bearing Cup | NP-682041 | 1 | Pocket bearing |
| Bearing Cone | NP-674708 | 1 | Pocket bearing |
| Dowel | 1246-T-1190 | 2 | .375" dia x 1.00" long |
| Spacer - .003" | 2803-E-3125 | 5 | 2TS Rear cover bearing spacer - available in KIT 2566 |
| Spacer - .009" | 2803-F-3126 | 5 | |
| Spacer - .015" | 2803-G-3127 | 5 | |
| Spacer - .021" | 2803-H-3128 | 5 | |
| Shim - .003" | 2203-K-9241 | 5 | Input bearing cage - available in KIT 2566 |
| Shim - .005" | 2203-L-9242 | 5 | |
| Shim - .010" | 2203-M-9243 | 5 | |
| Shim - .003" | 2803-R-3112 | 5 | Housing bearing cups - available in KIT 2566 |
| Shim - .005" | 2803-Q-3111 | 5 | |
| Shim - .010" | 2803-P-3110 | 5 | |

| | | | |
|------------------------|-------------|---|---------------------------|
| KIT 2895 | | | Shift Cylinder Kit |
| Shift Cylinder | 3261-A-1067 | 1 | |
| Piston - Shift | 2230-T-1190 | 1 | |
| Piston - Shift (Inner) | 2230-T-1346 | 2 | |
| O-Ring (Outer) | 5-X-1290 | 2 | .734" ID x .139" thick |
| O-Ring (Housing) | 5-X-1291 | 2 | .984" ID x .139" thick |
| O-Ring | 5-X-1292 | 1 | 1.17" ID x .139" thick |
| O-Ring - Shift Piston | 5-X-1326 | 2 | |
| Piston (Outer) | 2230-Q-1369 | 1 | |

MTC-4213X YOKES

| Transfer Case Model Numbers | Part Numbers | | |
|--------------------------------|---------------|-------------|--------------|
| | Front Output | Front Input | Rear Output |
| MTC4213X 100 100 205 | 140TYS38A | 17TYS38-76 | 140TYS38A |
| MTC4213X 101 100 205 | 140TYS38A | 17TYS38-76 | 170TYS38-4A |
| MTC4213X 102 100 205 | 16N-4-7341-1X | 17TYS38-76 | 17TYS38-76A |
| MTC4213X 103 100 205 | 16NYS38-8A | 17NYS38-61 | 17NYS38-61A |
| MTC4213X 104 100 205 | 16N-4-7341-1X | 176TYS38-27 | 176TYS38-27A |
| MTC4213X 105 100 205 | 16NYS38-8A | 176NYS38-14 | 176NYS38-14A |
| MTC4213X 107 100 205 | 140TYS38A | 140TYS38 | 140TYS38A |

Note: Other yokes under RAP and RCE spline code (2-3/8"-46T) will fit.
 However, all yokes must be compatible with unitized seals.
 For more information about yoke type or compatibility see
<http://xpresswayplus.arvinmeritor.com> ,
<http://www.meritorhvs.com/LODSearch.aspx>, or call 1-866-ONTRAC1

SEAL REPLACEMENT

Meritor has released the Multiple-Lip Seal (MLS) for use in the INPUT POSITION ONLY on the MTC-4208, -4210 and -4213 transfer cases. The multiple-lip seal is compatible with the current input shaft seal and can be used in service.

| Transfer Case Model | Seal Position | Seal Service Part Number | Previous Seal Part Number | Seal Driver | Sleeve Driver |
|---------------------------|-------------------------|--------------------------|---------------------------|-------------|---------------|
| MTC-4208, -4210 and -4213 | Input Shaft | A1-1205X2728 | A-1205R2592 | 2728T1 | 2728T2 |
| MTC-4208 and -4210 | Forward and Rear Output | R945007 | A-1205R2592 | KIT 4454 | NA |
| MTC-4213 | Forward Output | R945007 | A-1205R2592 | KIT 4454 | NA |
| MTC-4213 | Rear Output | R945010 | A-1205Q2591 | KIT 4454 | NA |

MERITOR AFTERMARKET PARTS WARRANTY

We warrant all new parts for one year from date of shipment to the buyer against defective material or workmanship (but not against damage caused by accident, abuse or improper installation, maintenance or repair) when such parts are used on vehicles the specifications of which have been approved by our Engineering Department.

As the exclusive remedy under this warranty, we will, at our option, repair or replace such parts free of charge, or take back the nonconforming parts and refund the monies paid by buyer for such parts, if found on examination by us to be nonconforming and if any necessary return charges are prepaid.

If it is necessary to return any parts under this warranty, buyer agrees not to make any deduction on account thereof from remittances on current accounts while claims are in the process of disposition. Any expense incurred without our consent for repairs or replacement will not be allowed.

THIS WARRANTY IS EXPRESSLY IN LIEU OF ALL OTHER WARRANTIES OR CONDITIONS, EXPRESS, IMPLIED OR STATUTORY, INCLUDING ANY IMPLIED WARRANTY OF MERCHANTABILITY OR FITNESS FOR PARTICULAR PURPOSE. IN NO EVENT SHALL SELLER BE LIABLE FOR INCIDENTAL OR CONSEQUENTIAL DAMAGES OF ANY NATURE.

Only genuine Meritor replacement parts are covered by this aftermarket parts warranty.

ArvinMeritor™

Information contained in this publication is in effect at the time the publication was approved for printing and is subject to change without notice or liability. Meritor Heavy Vehicle Systems, LLC, reserves the right to revise the information presented or discontinue the production of parts described at any time.

Meritor Heavy Vehicle Systems, LLC
7975 Dixie Highway
Florence, KY 41042 USA
888-725-9355
www.arvinmeritor.com
XpresswayPlus.arvinmeritor.com

Issued 4/2009
PB-0912
© 2009 ArvinMeritor, Inc.